

## Modular Cooking Range Line EVO900 Gas Automatic Pasta Cooker 150 litres

ITEM # \_\_\_\_\_

MODEL # \_\_\_\_\_

NAME # \_\_\_\_\_

SIS # \_\_\_\_\_

AIA # \_\_\_\_\_



392113 (Z9PCGH1RF0)

150-lt gas automatic pasta  
cooker, direct gas, with 1x15  
kg basket

### Short Form Specification

#### Item No. \_\_\_\_\_

High efficiency 23 kW burners. Suitable for natural gas or LPG. Constant water level refill and water topping up. The 150 liter tank is pressed in 316-L type stainless steel and features only rounded corners. Adjustable stainless steel feet, 50 mm in height. Body and base of unit entirely in stainless steel. Heavy duty stainless steel internal frame. Insulated lid and counter-balancing springs to simplify use.

### Main Features

- High productivity and quality thanks to the high thermal efficiency and automatic cooking time control.
- Water basin fitted with overflow pipe to eliminate foam.
- Large drainage tap is provided on which baskets can be placed for draining purposes.
- 150 liters water basin in 316-L AISI Stainless Steel.
- Constant water level refill.
- Automatic water topping.
- Automatic ignition when water reaches minimum level and probe with electrovalve to protect from overheating in case of water absence.
- Digital timer guarantees precise settings of cooking parameters.
- Simple and functional control panel.
- The special design of the control knob system guarantees against water infiltration.
- Elevating basket is automatically tilted at the end of the cooking cycle.
- Combustion chamber and load bearing frame in stainless steel.
- Burners in stainless steel with pilot light, safety valve and flame failure device.
- Piezo spark ignition with thermocouple for added safety.
- Heavy duty internal frame in Stainless steel and external panelling with satin finish.
- IPX5 water protection.

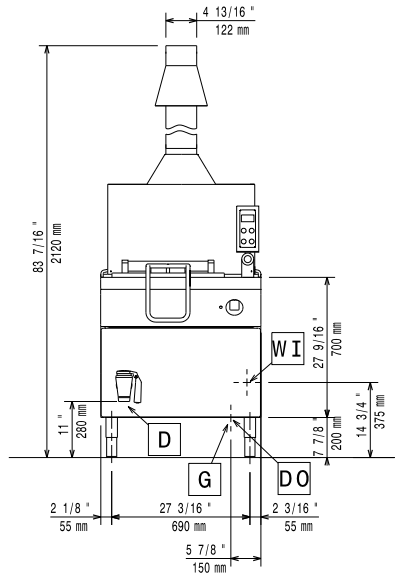
APPROVAL: \_\_\_\_\_

**Optional Accessories**

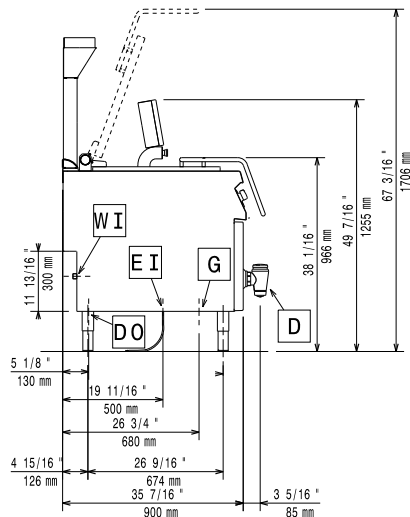
- Draught diverter, 150 mm diameter PNC 206132
- Matching ring for flue condenser, 150 mm diameter PNC 206133
- Frontal kicking strip for concrete installation, 1000 mm PNC 206150
- Frontal kicking strip for concrete installation, 1200 mm PNC 206151
- Frontal kicking strip for concrete installation, 1600 mm PNC 206152
- Frontal kicking strip, 800 mm PNC 206176
- Frontal kicking strip, 1000 mm PNC 206177
- Frontal kicking strip, 1200 mm PNC 206178
- Frontal kicking strip, 1600 mm PNC 206179
- Pair of side kicking strips PNC 206180
- Flue condenser for 1 module, 150 mm diameter PNC 206246
- 2 side covering panels, height 700 mm, depth 900 mm PNC 206335
- Base support for feet or wheels - 800mm (EVO700/900) PNC 206367
- Base support for feet or wheels - 1200mm (EVO700/EVO900) PNC 206368
- Base support for feet or wheels - 1600mm (EVO700/900) PNC 206369
- Base support for feet or wheels - 2000mm (EVO700/900) PNC 206370
- Rear paneling - 1000mm (EVO700/900) PNC 206375
- Rear paneling - 1200mm (EVO700/900) PNC 206376
- Trolley with lifting and removable tank PNC 922403

# Modular Cooking Range Line EVO900 Gas Automatic Pasta Cooker 150 litres

**Front**

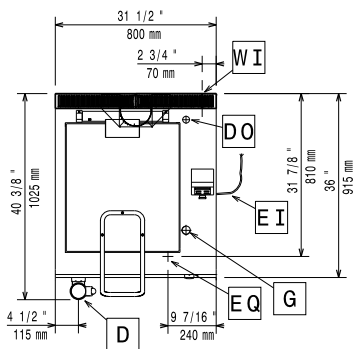


**Side**



- D = Drain
- EI = Electrical inlet (power)
- EQ = Equipotential screw
- G = Gas connection
- WI = Water inlet

**Top**



**Gas**

<b>Gas Power:</b>	23 kW
<b>Standard gas delivery:</b>	Natural Gas G20 (20mbar)
<b>Gas Type Option:</b>	LPG; Natural Gas
<b>Gas Inlet:</b>	3/4"

**Water:**

<b>Total hardness:</b>	5-50 ppm
<b>Drain "D":</b>	2"
<b>Incoming Cold/hot Water line size:</b>	3/4"

*Electrolux Professional recommends the use of treated water, based on testing of specific water conditions. Please refer to user manual for detailed water quality information.*

**Key Information:**

<b>Number of wells:</b>	1
<b>Usable well dimensions (width):</b>	530 mm
<b>Usable well dimensions (height):</b>	550 mm
<b>Usable well dimensions (depth):</b>	570 mm
<b>Well Capacity (MAX):</b>	150 lt MAX
<b>Net weight:</b>	165 kg
<b>Shipping weight:</b>	173 kg
<b>Shipping height:</b>	1460 mm
<b>Shipping width:</b>	1100 mm
<b>Shipping depth:</b>	900 mm
<b>Shipping volume:</b>	1.45 m <sup>3</sup>
<b>Certification group:</b>	GGPC15

If appliance is set up or next to or against temperature sensitive furniture or similar, a safety gap of approximately 150 mm should be maintained or some form of heat insulation fitted.